

Figure 7.2 Metal cladding options

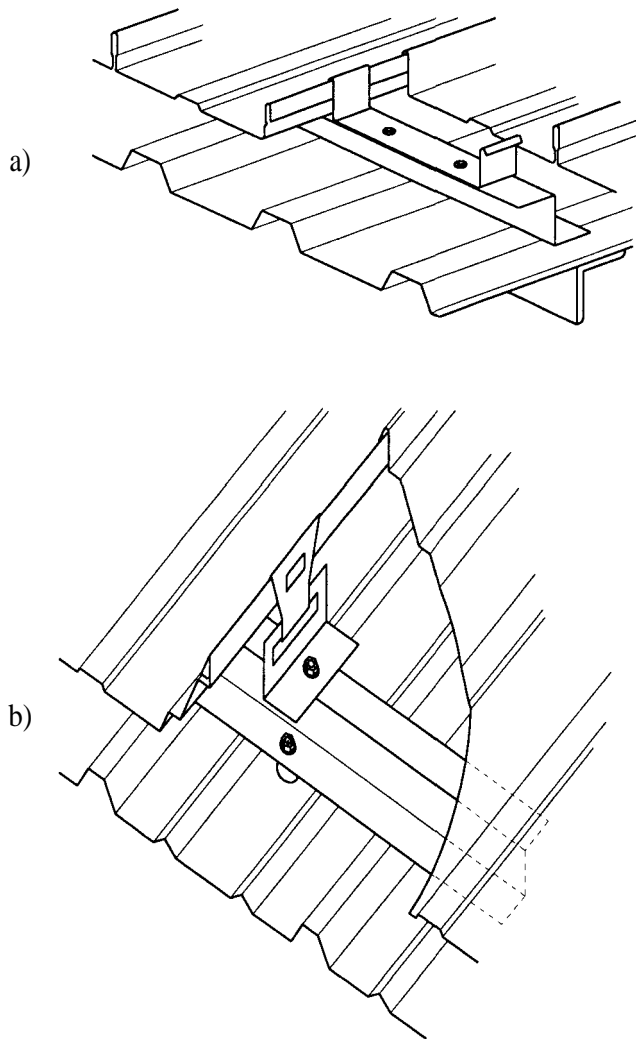


Figure 7.3 a) *Concealed fix* and b) *standing seam systems* (insulation omitted for clarity).

ACTIONS - Metal cladding

To facilitate construction, the following points should be considered during design:

- fixings should allow a means of adjustment between the steel frame and the cladding panels, so that different tolerance requirements can be accommodated
- cladding panels should be sufficiently robust to withstand transportation and reasonable handling on site.